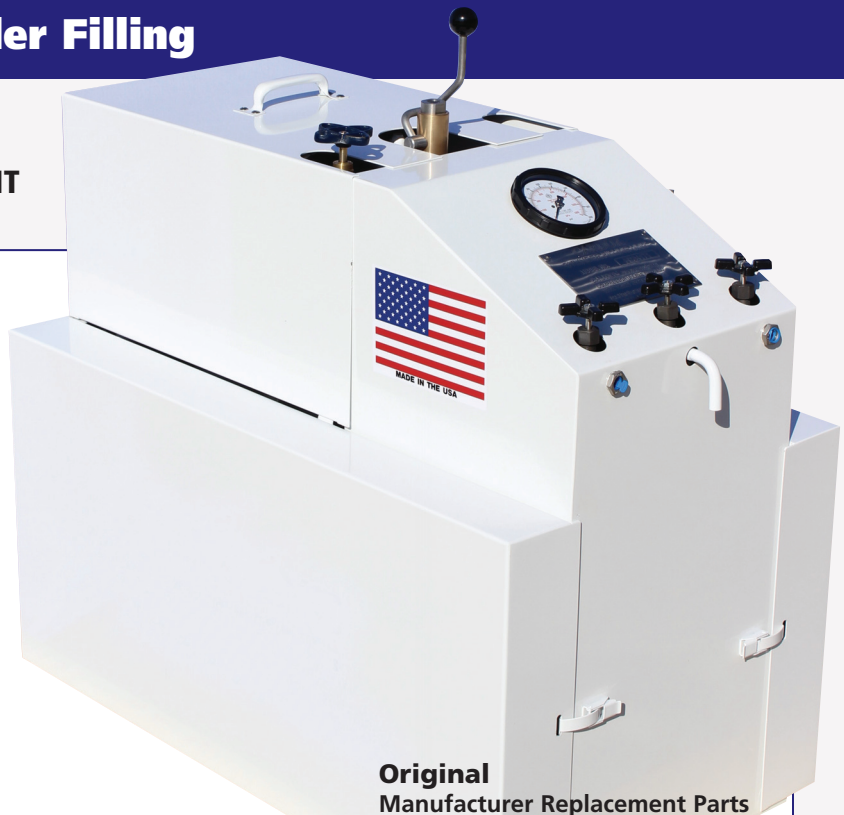


Cardox Carbon Dioxide Cylinder Filling

CARDOX CARBON DIOXIDE CYLINDER FILLING UNIT

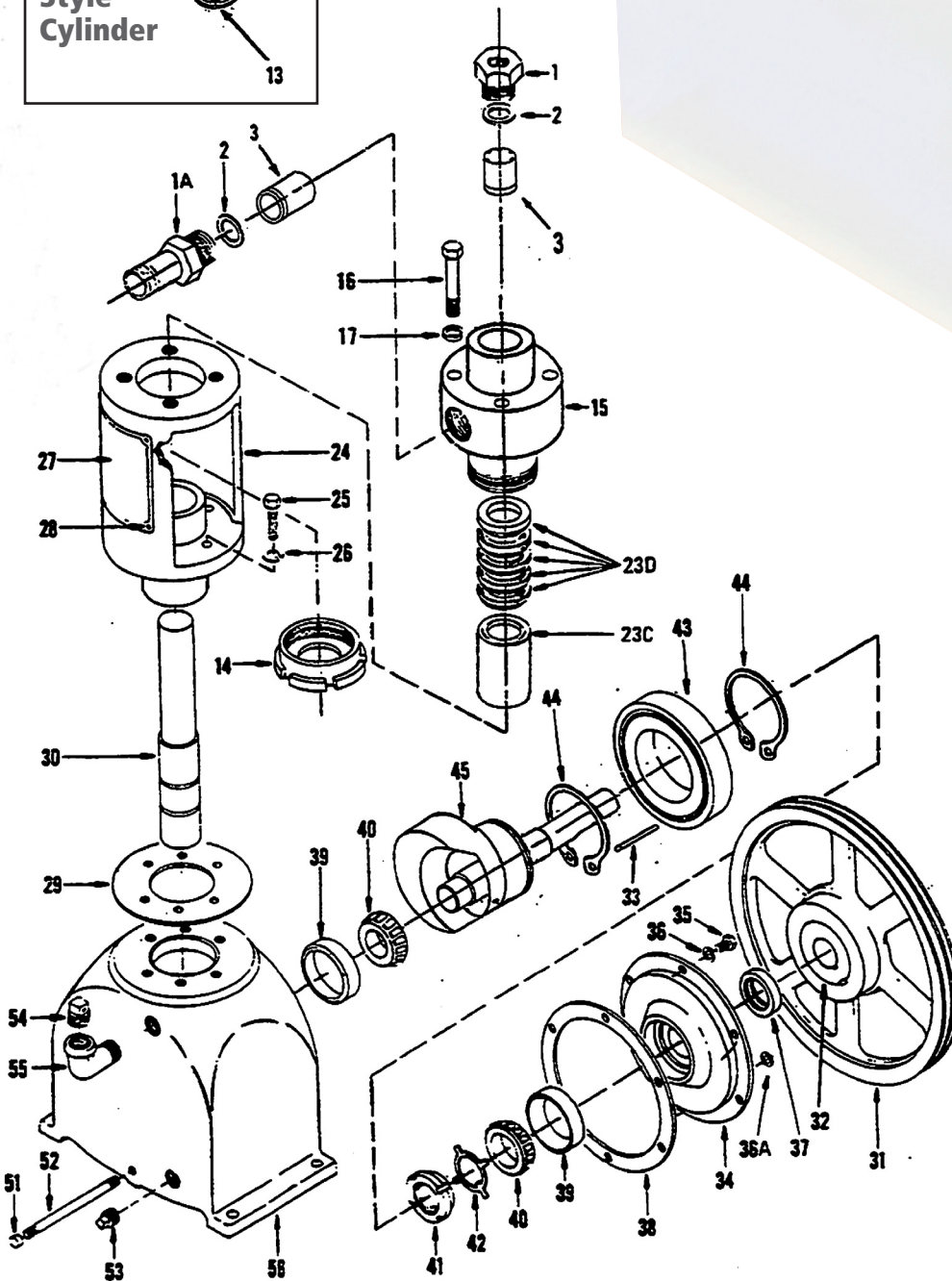
Part # CDX-N-204171

ORIGINAL Manufacturer Replacement Parts



Original Manufacturer Replacement Parts

Ref #	Description	Part Number
1	Cap Discharge	CDX-N-204669
1A	Cap	CDX-N-204312
2	Suction/Discharge Gasket	CDX-N-204437
3	Suction/Discharge Valve	CDX-N-204361
12	Adapter	CDX-N-204687
13	Gasket	CDX-N-204516
14	Gland	CDX-N-204679
15	Head	CDX-N-204677
16	Bolt	CDX-N-204701
17	Washer	Call for Info
23C	Spacer	CDX-N-204305
23D	Packing Set	CDX-N-204734
24	Cylinder	CDX-N-204682
25	Bolt	Call for Info
26	Washer	Call for Info
29	Gasket	CDX-N-204517
30	Plunger	CDX-N-204684
31	Sheave & Bushing	CDX-N-204710
32	Bushing	CDX-N-204711
33	Key	CDX-N-204704
34	Sideplate	CDX-N-204680
35	Bolt	Call for Info
36	Washer	Call for Info
36A	Seal	CDX-N-200851
37	Seal	CDX-N-204518
38	Gasket	CDX-N-204515
39&40	Cup & Cone	CDX-N-204671
41	Locknut	CDX-N-204672
42	Lockwasher	CDX-N-204673
43	Bearing	CDX-N-204674
44	Ring	CDX-N-204670
45	Crankshaft	CDX-N-204695
51	Plug	CDX-N-204579
52	Nipple	CDX-N-204620
53	Plug	CDX-N-204562
54	Vent	CDX-N-204321
55	Elbow	CDX-N-204585
56	Crankcase	CDX-N-204692



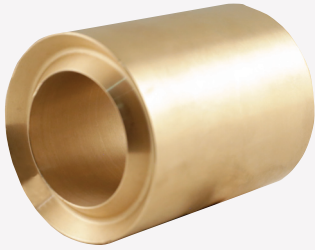
WARNING: Products in this catalog can expose you to chemicals including Lead which is known to the State of California to cause cancer, birth defects or reproductive harm. For more information, go to <https://www.p65warnings.ca.gov>

CARDOX CARBON DIOXIDE CYLINDER FILLING

Rev: 6/12/19, 6/11/19, 6/6/19, 5/31/19, 5/30/19, N: 5/29/19

Cardox Carbon Dioxide Cylinder Filling

Please reference chart numbers found on 5A-14.



SPACER (Ref #23C)
Part # CDX-N-204305



SUCTION/DISCHARGE VALVE (Ref #3)
Part # CDX-N-204361



CAP (Ref #1A)
Part # CDX-N-204312



CAP DISCHARGE (Ref #1)
Part # CDX-N-204669



SUCTION/DISCHARGE GASKET (Ref #2)
Part # CDX-N-204437



GASKET (Ref #38)
Part # CDX-N-204515



GASKET (Ref #29)
Part # CDX-N-204517



SEAL (Ref #37)
Part # CDX-N-204518



RING (Ref #44)
Part # CDX-N-204670



CUP & CONE (Ref #39 & 40)
Part # CDX-N-204671



LOCKNUT (Ref #41)
Part # CDX-N-204672



LOCKWASHER (Ref #42)
Part # CDX-N-204673



HEAD (Ref #15)
Part # CDX-N-204677



GLAND (Ref #14)
Part # CDX-N-204679



PLUNGER (Ref #30)
Part # CDX-N-204684



CRANKSHAFT (Ref #45)
Part # CDX-N-204695



PACKING SET (Ref #23D)
Part # CDX-N-204734

WARNING: Products in this catalog can expose you to chemicals including Lead which is known to the State of California to cause cancer, birth defects or reproductive harm. For more information, go to <https://www.p65warnings.ca.gov>

CARDOX CARBON DIOXIDE CYLINDER FILLING

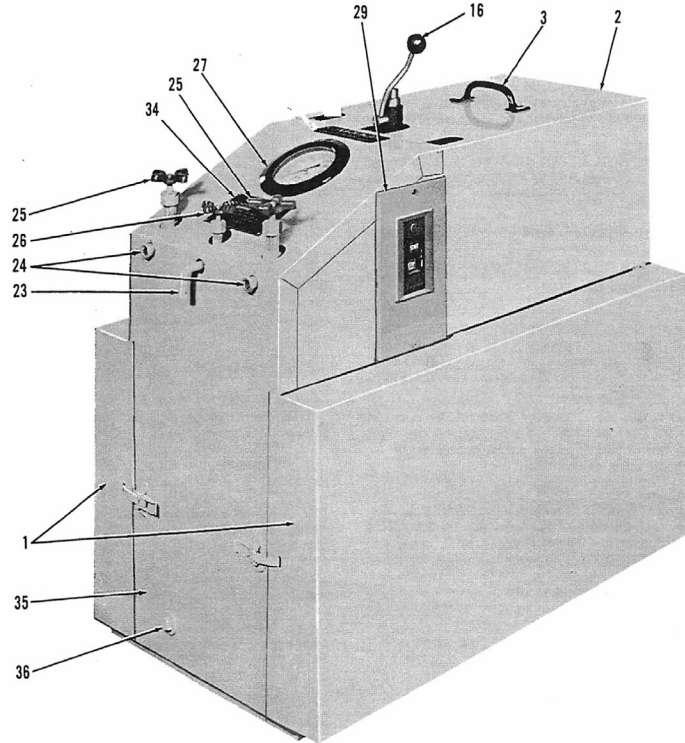
Rev: 6/12/19, 6/11/19, 6/6/19, N: 6/3/19

Cardox Carbon Dioxide Cylinder Filling

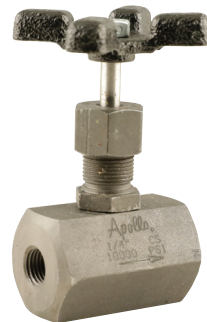
CARDON CARBON DIOXIDE CYLINDER FILLING

Cylinder Filling Unit Details

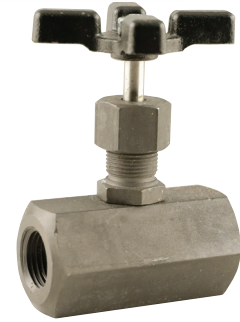
Ref #	Description	Part Number
1	Housing Side	CDX-N-204359
2	Cover	CDX-N-204358
3	Handle	CDX-N-204706
4	Union	CDX-N-204573
5	Nipple	CDX-N-204600
7	U Bolt	CDX-N-204714
8	Return Pipe	CDX-N-204372
9	Relief Valve	CDX-N-204213
11	Discharge Piping	CDX-N-204356
12	Street Elbow	CDX-N-204558
13	U Bolt	Call for Info
14	Nipple	CDX-N-204601
15	Safety Disc	CDX-N-204274
16	Pressure Regulating Valve	CDX-N-204209
17	Nipple	CDX-N-204600
18	Pipe Cross	CDX-N-204552
19	Cardox CO2 Compressor	CDX-N-204215
20	V Belt Set	CDX-N-204472
21	Sheave	CDX-N-204712
22	Call for Info	Call for Info
23	Bent Pipe	CDX-N-204658
24	Reducer Bushing	CDX-N-204541
25	1/2 Inch Needle Valve	CDX-N-204179
26	1/4 Inch Valve	CDX-N-204178
27	Pressure Gauge	CDX-N-204736
27A	Plate Adapter	CDX-N-204320
28	Manifold	CDX-N-204316
29	Start-Stop Switch	CDX-N-204496
30	Cable Connector (90)	CDX-N-204475
31	Cable Connector	CDX-N-204474
32	Flexible Cable	CDX-N-201736
33	Electric Motor	CDX-N-204486
35	Base	CDX-N-204360
36	Motor Adjustment Screw	CDX-N-204696



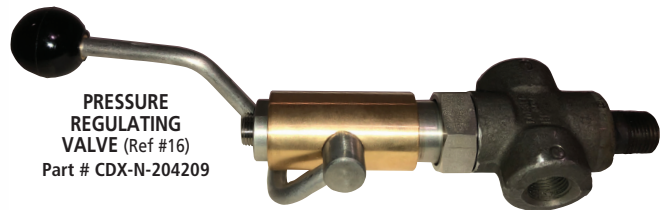
SAFETY DISC (Ref #15)
Part # CDX-N-204274



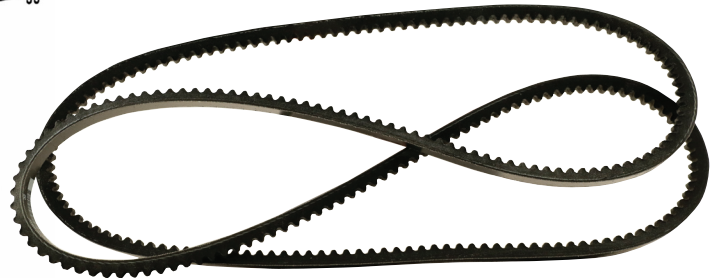
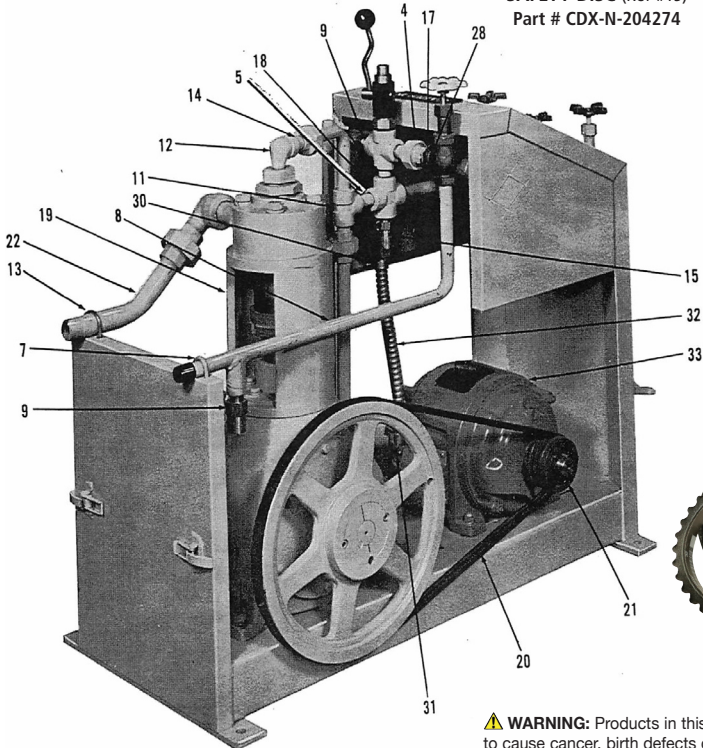
1/4 INCH VALVE (Ref #26)
Part # CDX-N-204178



1/2 INCH NEEDLE VALVE (Ref #25)
Part # CDX-N-204179



PRESSURE REGULATING VALVE (Ref #16)
Part # CDX-N-204209

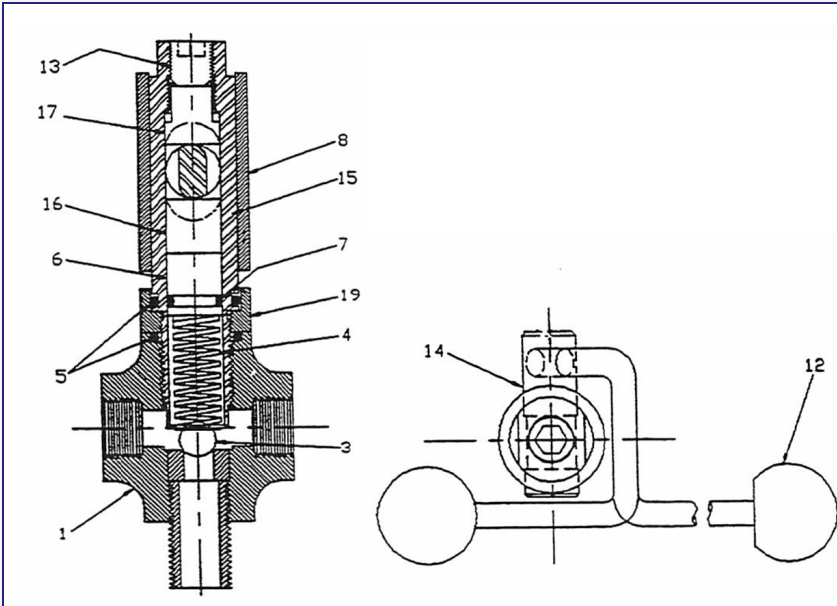


V BELT SET (Ref #20)
Part # CDX-N-204472

WARNING: Products in this catalog can expose you to chemicals including Lead which is known to the State of California to cause cancer, birth defects or reproductive harm. For more information, go to <https://www.p65warnings.ca.gov>

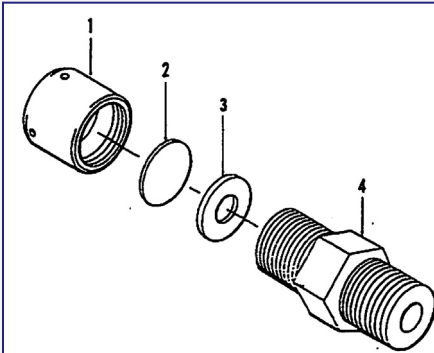
Rev: 6/12/19, 6/11/19, 6/6/19, 5/31/19, 5/30/19, N: 5/29/19

Cardox Carbon Dioxide Cylinder Filling



Pressure Regulating Valve

Ref #	Description	Part Number
1	Body & Seat Assembly	CDX-N-204273
3	Ball	CDX-N-204664
4	Spring	CDX-N-204656
5	O-Ring	CDX-N-204525
6	Spring Retainers	CDX-N-204348
7	O-Ring	CDX-N-204520
8	Sleeve	CDX-N-204350
12	Ball Knob	CDX-N-204537
13	Socket Setscrew	CDX-N-204702
14	Cam & Lever Arm Assembly	CDX-N-204409
15	Adjusting Body	CDX-N-204408
16	Spacer	CDX-N-204349
17	Adjusting Piston	CDX-N-204351
19	Adjusting Body Nut	CDX-N-204410



Safety Disc Assembly

WARNING:

COPPER DISC AND FIBER WASHER MUST BE INSTALLED AS SHOWN. THE SAFETY DISC WILL NOT FUNCTION PROPERLY IF #2 AND #3 ARE REVERSED.

Ref #	Description	Part Number
1	Disc, Rupture: Holder, Oxy: N, Med: N, SVC: CO2, CFU	CDX-N-204353
2	Disc, Rupture: Oxy: N, Med: N, SVC: CO2, CFU, 1200 PSI	CDX-N-204772
3	Fastener, Washer, Oxy: N, Med: N, SVC: CO2, CFU	CDX-N-204733
4	Disc, Rupture: Connector Assy, Oxy: N, Med: N, SVC: CO2, CFU, 1/2", M x M	CDX-N-204310

Rebuild Kit



Part #
CDX-N-204443

Flexible Hoses

Part #	Description
CDX-N-204169	Flexible Hose Assembly, 1/4" x 6 feet with 6" Hand wheel
CDX-N-204170	Flexible Hose, 1/4" x 6 feet



FLEXIBLE HOSE ASSEMBLY
Part # CDX-N-204169



FLEXIBLE HOSE
Part # CDX-N-204170

WARNING: Products in this catalog can expose you to chemicals including Lead which is known to the State of California to cause cancer, birth defects or reproductive harm. For more information, go to <https://www.p65warnings.ca.gov>

Rev: 6/11/19, 6/6/19, 6/3/19, 5/30/19, N: 5/29/19